



## HOOD TARP ORDER FORM

Customer: \_\_\_\_\_

Date: \_\_\_\_\_

Address: \_\_\_\_\_

Phone: \_\_\_\_\_

\_\_\_\_\_

Fax: \_\_\_\_\_

\_\_\_\_\_

Email: \_\_\_\_\_

### Type of Hood Tarp System

- Wind out – Mesh  
 Wind out – 80% W/P  
 Wind out – 100% W/P  
 Other: \_\_\_\_\_

### Material

- Mesh  
 F.R. Canvas  
 PVC  
 Other: \_\_\_\_\_  
 Tarp Colour: \_\_\_\_\_

### Body Type

- Rigid Truck  
 Dog Trailer  
 Semi  
 Brand of Body: \_\_\_\_\_

### Standard Bow Height

- 150mm  
 300mm  
 450mm  
 500mm

### Tailgate

- Side Hinged  
 Forward Hinged  
 Rear Top Hinged  
 Other: \_\_\_\_\_

### Construction

- Aluminium  
 Steel  
 Bis-Alloy  
 Other: \_\_\_\_\_

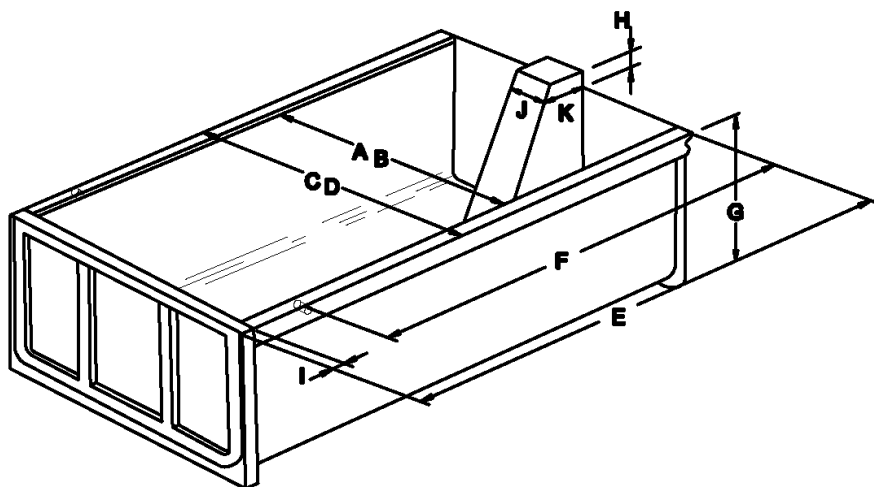
### Operational Type

- Manual: Belt  Chain   
 Electric: 12V  24V   
 W/Manual Override

### Excavation Bow Height

- 350mm  
 450mm  
 600mm

- A: Inside width Front \_\_\_\_\_  
 B: Inside width Rear \_\_\_\_\_  
 C: Outside width Front \_\_\_\_\_  
 D: Outside width Rear \_\_\_\_\_  
 E: Overall length \_\_\_\_\_  
 F: Front of body to front of hinge \_\_\_\_\_  
 G: Side height \_\_\_\_\_  
 H: Height of hoist box above sides \_\_\_\_\_  
 I: Post Width \_\_\_\_\_  
 J: Hoist box width at bow height \_\_\_\_\_  
 K: Hoist box depth at bow height \_\_\_\_\_



### Notes:

**LET US HELP YOU COVER YOUR LOAD**

FACTORY  
 16 PINACLE STREET  
 BRENDALE Q 4500

PO BOX 5623  
 BRENDALE Q 4500

EMAIL: sales@retractabletarps.com.au  
 WEBSITE: www.retractabletarps.com.au

PHONE: (07) 3889 9611  
 FAX: (07) 3889 9622