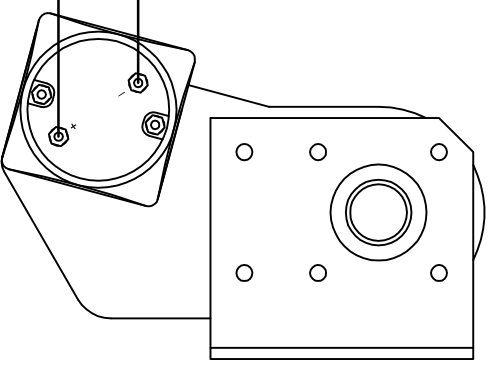


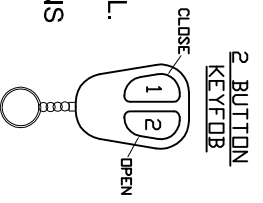
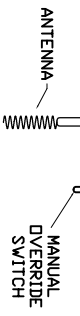
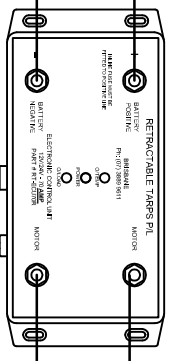
**ROLL-RITE® HOLLOWSHAFT
MOTOR AND GEARBOX - 1025/1026**



- PLEASE NOTE:-
1. SUPPLIED FUSE MUST BE FITTED BETWEEN TRUCK BATTERY AND ELECTRONIC CONTROL UNIT AS CLOSE TO BATTERY AS POSSIBLE
 2. CONNECTING THE POWER CABLES INCORRECTLY TO ELECTRONIC CONTROL UNIT MAY CAUSE PERMANENT DAMAGE TO UNIT
 3. SYSTEM MUST BE WIRED AS PER DIAGRAM
 4. IF USING A CONNECTOR, ONLY A 175A ANDERSON CONNECTOR PLUG IS TO BE USED
 5. CORRECT CABLE SIZE MUST BE USED AS PER FIG A. TERMINALS MUST BE THE CORRECT SIZE FOR THE CABLE AND THE STUDS
 6. CORRECT SLOW-BLOW FUSE SIZE MUST BE USED AS PER FIG B.
- ANY FAILURE TO COMPLY WITH THESE CONDITIONS WILL RESULT IN WARRANTY BECOMING NULL AND VOID. IF UNSURE, PLEASE CONTACT OUR OFFICE ON (07)38899611.

CORRECT FUSE SIZE (Fig B):-

- 60AMP - 12V SYSTEMS
- 30AMP - 24V SYSTEMS



RTECU_R IS A ONE TOUCH REMOTE CONTROL. IT IS EXTREMELY IMPORTANT TO MAKE SURE THAT BUTTON# 1 - CLOSES, BUTTON# 2 - OPENS

CORRECT CABLE SIZE (Fig A):-

- 0m to 15.0m (RED)*
- 0m to 15.0m (BLACK)* - 6 B&S TO BE USED
- 16m to 30.0m (RED)*
- 16m to 30.0m (BLACK)* - 3 B&S TO BE USED

*Cable size may need to be increased if the tarp motor is used in a high load situation, e.g. Waterproof System, Electric Roll-Over System.

CORRECT CABLE SIZE

Cable Size (mm ² /M)	R(INC/M)	Formula:
8 IACS	4.1	$V = (L \times R \times A) / 1000$
6 IACS	2.4	
4 IACS	1.4	
3 IACS	0.9	
2 IACS	0.7	
1 IACS	0.6	
0 IACS	0.5	V - Voltage drop
	0.4	L - Total cable length in metres
	0.3	R - Cable resistance per metre
		A - Current in Amps

It is good engineering practice to maintain system voltage drop below 1.0 volt.